

三环式光纤偏振控制器

3-Paddle Polarization Controllers

特性

- ✓ 紧凑型设计
- ✓ 全光纤结构
- ✓ 低插入损耗

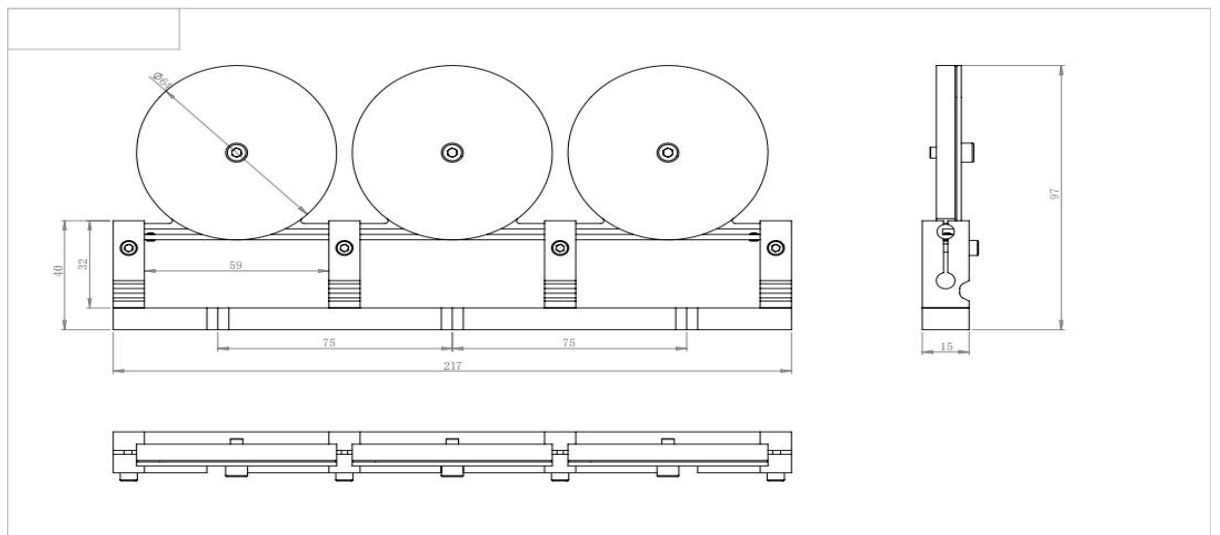
应用

- ✓ 光纤传感系统
- ✓ 光纤器件测试
- ✓ 光纤激光器



Parameters	Unit	Values
Operation Wavelength	nm	405/532/633/780/980/1060/ 1310/1550
Max. Insertion Loss	dB	0.5
Min. Return Loss	dB	50
Fiber Type	-	Corning SMF-28 or Hi 1060
Number of Paddles	-	3
Dimension(L×W×H)	mm	217×15×97
Fiber Ring Diameter	mm	56
Operating Temperature	°C	0~+70
Storage Temperature	°C	-40~+85
For device with connector, IL is 0.3dB higher, RL is 5dB lower.		

封装尺寸



订购信息

FPC-11-2345	
11-Center Wavelength:	10=1060, 15=1550
2-Fiber Type:	0=No Fiber, 1=Hi 1060, 2=SMF-28
3-Pigtail Type:	0=900µm loose tube
4-Fiber Length:	0=0.8m, 1=1m
5-Connector Type:	0=FC/UPC, 1=FC/APC, 2=SC/UPC, 3=SC/APC, 4=LC/UPC, 5=LC/APC